

F&B PRO

THE MARKET STANDARD FOR THE
FOOD INDUSTRY FROM MURRELEKTRONIK

The F&B range of plug connectors from Murrelektronik was specifically designed for use in the food industry.

Features such as high chemical resistance, excellent cleanability, and drag chain capability (bending and torsion) allow the PP lines to be used in all food production areas.

Perfect for the food industry

- UL-approved
- FDA-compliant materials (EU) 10/2011, EC 1935/2004
- Wide temperature range from -40 °C to +105 °C
- Hygienic design based on EHEDG specifications
- Halogen-free
- Resistant to UV radiation according to DIN EN ISO 4892-2A (2013) and to OZONE according to ISO 1431-1 A
- Sealed according to protection classes IP65, IP66K, IP67, IP68 and IP69K
- Coloring for easy detection of foreign bodies
- V4A stainless steel screw connection (1.4404)
- Highly flexible cable for 5 million bending cycles and 2 million torsion cycles
- Tested chemical resistance

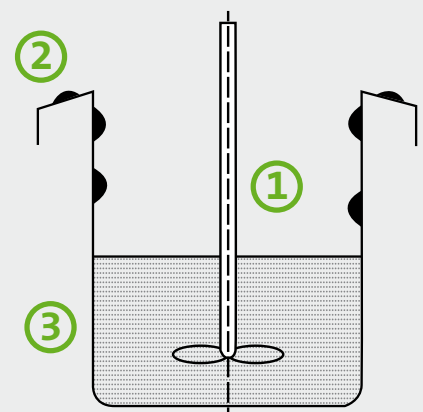


Machine areas

as defined in DIN EN 1672-2 and ISO 14159

- ① Food zone
- ② Spray zone
- ③ Non-food zone or dry zone

Zones 1 and 2 must be designed in accordance with the same Hygienic Design Principles.



Unshielded

| Free conductor end | Art. No. |
|--|--|
| M12 male connector, 3-pin, straight | 7024-12001-315xxxx |
| M12 male connector, 4-pin, straight | 7024-12021-321xxxx |
| M12 male connector, 5-pin, straight | 7024-12041-339xxxx 7024-12041-365xxxx |
| M12 male connector, 8-pin, straight | 7024-17001-312xxxx |
| M12 male connector, 3-pin, angled | 7024-17081-315xxxx |
| M12 male connector, 4-pin, angled | 7024-17101-321xxxx |
| M12 male connector, 5-pin, angled | 7024-12121-339xxxx 7024-12121-365xxxx |
| M12 male connector, 8-pin, angled | 7024-17021-312xxxx |
| M12 female connector, 3-pin, straight | 7024-12321-315xxxx |
| M12 female connector, 4-pin, straight | 7024-12341-321xxxx |
| M12 female connector, 5-pin, straight | 7024-12361-339xxxx 7024-12361-365xxxx |
| M12 female connector, 8-pin, straight | 7024-17061-312xxxx |
| M12 female connector with LED, 3-pin, angled | 7024-12381-315xxxx |
| M12 female connector with LED, 4-pin, angled | 7024-12421-321xxxx |
| M12 female connector with LED, 5-pin, angled | 7024-12441-339xxxx 7024-12441-365xxxx |
| Connecting cable | Art. No. |
| M12 male connector, straight - M12 female connector, straight, 3-pin | 7024-40001-315xxxx |
| M12 male connector, straight - M12 female connector, straight, 4-pin | 7024-40021-321xxxx |
| M12 male connector, straight - M12 female connector, straight, 5-pin | 7024-40041-339xxxx 7024-40041-365xxxx |
| M12 male connector, straight - M12 female connector, straight, 8-pin | 7024-48001-312xxxx |
| M12 male connector, straight - M12 female connector, angled, 3-pin | 7024-40101-315xxxx |
| M12 male connector, straight - M12 female connector, angled, 4-pin | 7024-40121-321xxxx |
| M12 male connector, straight - M12 female connector, angled, 5-pin | 7024-40141-339xxxx 7024-40141-365xxxx |
| M12 male connector, straight - M12 female connector, angled, 8-pin | 7024-48011-312xxxx |
| M12 male connector, angled - M12 female connector, straight, 3-pin | 7024-40171-315xxxx |
| M12 male connector, angled - M12 female connector, straight, 4-pin | 7024-40201-321xxxx |
| M12 male connector, angled - M12 female connector, straight, 5-pin | 7024-40221-339xxxx 7024-40221-365xxxx |
| M12 male connector, angled - M12 female connector, straight, 8-pin | 7024-48031-312xxxx |
| M12 male connector, angled - M12 female connector, angled, 3-pin | 7024-40241-315xxxx |
| M12 male connector, angled - M12 female connector, angled, 4-pin | 7024-40261-321xxxx |
| M12 male connector, angled - M12 female connector, angled, 5-pin | 7024-40281-339xxxx 7024-40281-365xxxx |
| M12 male connector, angled - M12 female connector, angled, 8-pin | 7024-48021-312xxxx |
| M12 male connector, straight - M12 female connector, angled, 3-pin, with LED | 7024-40321-315xxxx |
| M12 male connector, straight - M12 female connector, angled, 4-pin, with LED | 7024-40341-321xxxx |
| M12 male connector, straight - M12 female connector, angled, 5-pin, with LED | 7024-40361-339xxxx 7024-40361-365xxxx |
| M12 male connector, angled - M12 female connector, angled, 3-pin, with LED | 7024-40401-315xxxx |
| M12 male connector, angled - M12 female connector, angled, 4-pin, with LED | 7024-40421-321xxxx |
| M12 male connector, angled - M12 female connector, angled, 5-pin, with LED | 7024-40441-339xxxx 7024-40441-365xxxx |

Cube

| Description | Art. No. |
|---|--------------------|
| M12 male connector, 6-pin, termination | 7024-15041-0000000 |
| M12 male connector, straight - M12 female connector, straight, 6-pin Shielded | 7024-46041-523xxxx |

Shielded

| Free conductor end | Art. No. |
|--|--|
| M12 male connector, 3-pin, straight | 7024-13061-370xxxx |
| M12 male connector, 4-pin, straight | 7024-13081-371xxxx |
| M12 male connector, 5-pin, straight | 7024-13101-372xxxx 7024-13081-400xxxx |
| M12 male connector, 3-pin, angled | 7024-13081-370xxxx |
| M12 male connector, 4-pin, angled | 7024-13141-371xxxx |
| M12 male connector, 5-pin, angled | 7024-13161-372xxxx 7024-13161-400xxxx |
| M12 female connector, 3-pin, straight | 7024-13181-370xxxx |
| M12 female connector, 4-pin, straight | 7024-13201-371xxxx |
| M12 female connector, 5-pin, straight | 7024-13221-372xxxx 7024-13221-400xxxx |
| M12 female connector, 3-pin, angled | 7024-13241-370xxxx |
| M12 female connector, 4-pin, angled | 7024-13261-371xxxx |
| M12 female connector, 5-pin, angled | 7024-13281-372xxxx 7024-13081-400xxxx |
| Connecting cable | Art. No. |
| M12 male connector, straight - M12 female connector, straight, 3-pin | 7024-40481-370xxxx |
| M12 male connector, straight - M12 female connector, straight, 4-pin | 7024-40501-371xxxx |
| M12 male connector, straight - M12 female connector, straight, 5-pin | 7024-40521-372xxxx 7024-40521-400xxxx |
| M12 male connector, straight - M12 female connector, angled, 3-pin | 7024-40545-370xxxx |
| M12 male connector, straight - M12 female connector, angled, 4-pin | 7024-40511-371xxxx |
| M12 male connector, straight - M12 female connector, angled, 5-pin | 7024-40541-372xxxx 7024-40541-400xxxx |
| M12 male connector, angled - M12 female connector, straight, 3-pin | 7024-40475-370xxxx |
| M12 male connector, angled - M12 female connector, straight, 4-pin | 7024-40211-371xxxx |
| M12 male connector, angled - M12 female connector, straight, 5-pin | 7024-40471-372xxxx 7024-40471-400xxxx |
| M12 male connector, angled - M12 female connector, 3-pin, angled | 7024-40495-370xxxx |
| M12 male connector, angled - M12 female connector, straight, 4-pin | 7024-40491-371xxxx |
| M12 male connector, angled - M12 female connector, straight, 5-pin | 7024-40451-372xxxx 7024-40451-400xxxx |

Flange

| Description | Art. No. |
|--|--|
| M12 male connector, 4-pin, front wall mounting | 7024-13501-971xxxx |
| M12 male connector, 5-pin, front wall mounting | 7024-13521-972xxxx 7024-13521-975xxxx |
| M12 male connector, 8-pin, front wall mounting | 7024-13501-971xxxx |
| M12 female connector, 4-pin, front wall mounting | 7024-13541-971xxxx |
| M12 female connector, 5-pin, front wall mounting | 7024-13561-972xxxx 7024-13561-975xxxx |
| M12 female connector, 8-pin, front wall mounting | 7024-13181-973xxxx |



Ready to modernize?
Contact Standard Electric
 to get started today!